

PRODOTTI / RICAMBI
PRODUCTS / SPARE PARTS
PRODUITS / PIÈCES DÉTACHÉES
PRODUKTE / ERSATZTEILE
PRODUCTOS / REPUESTOS

Premier

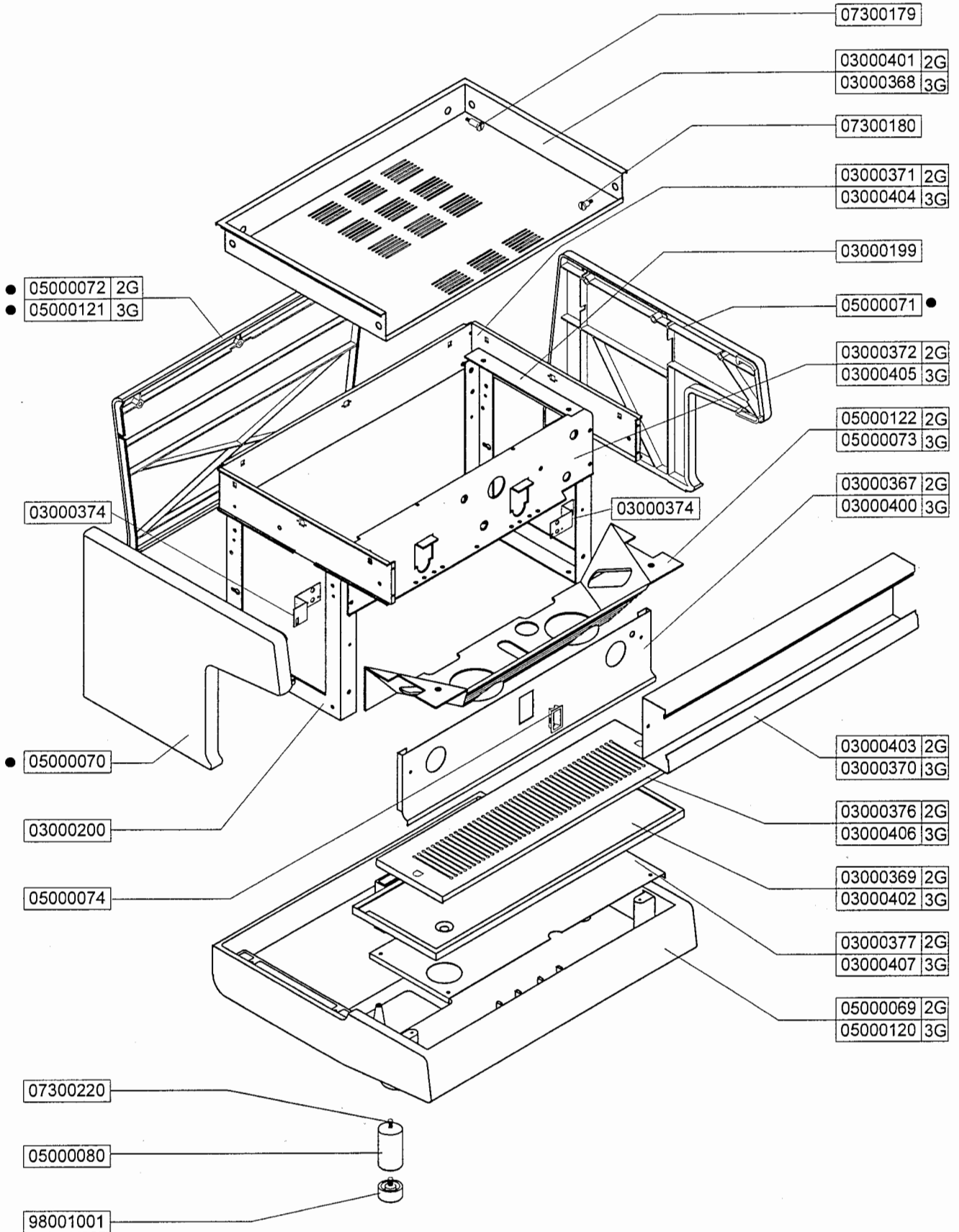
5



nuova simonelli

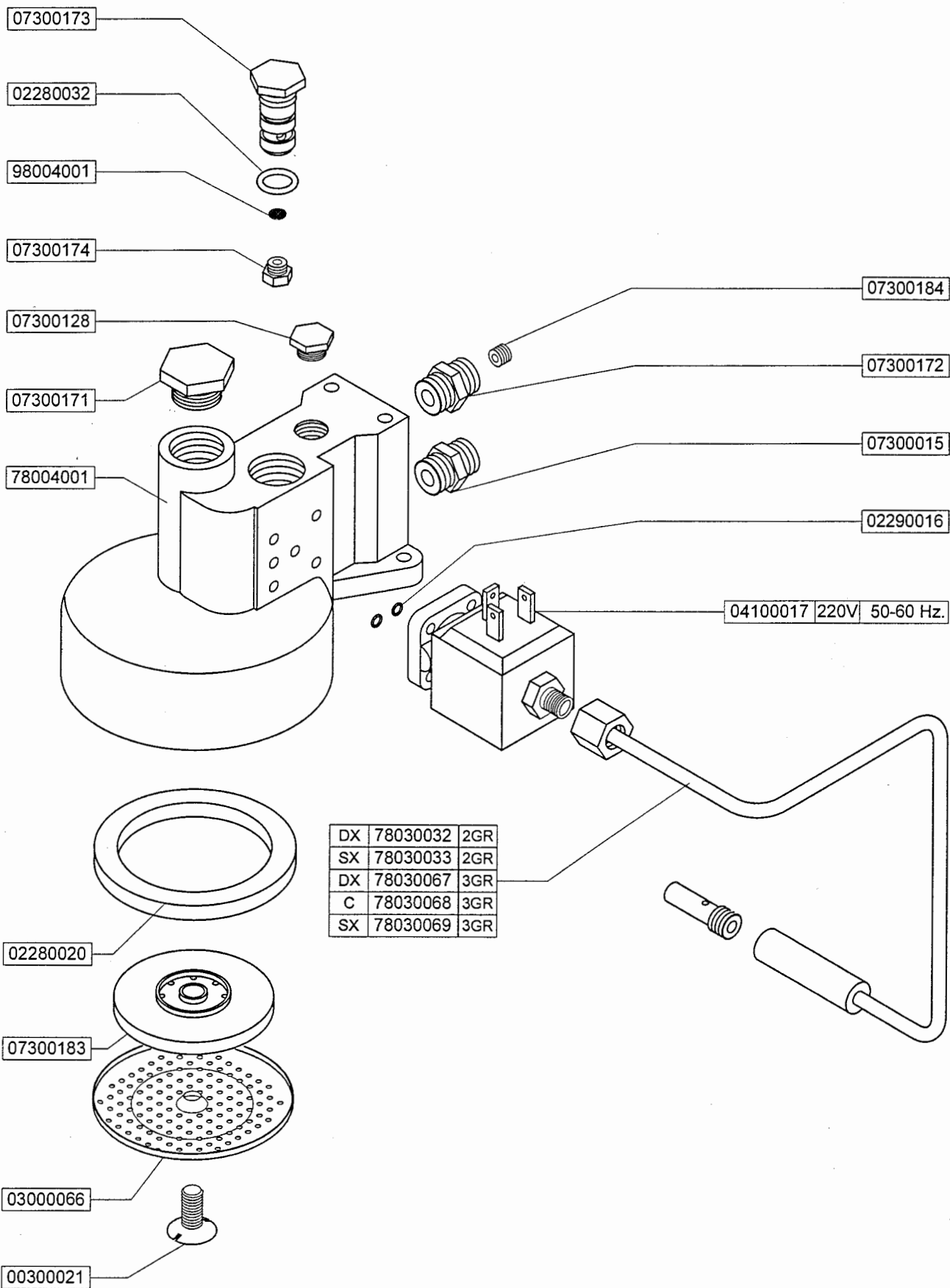
CARENA PREMIER CABINET PREMIER

P
R
E
M
I
E
R



● SPECIFICARE COLORE
SPECIFY COLOR

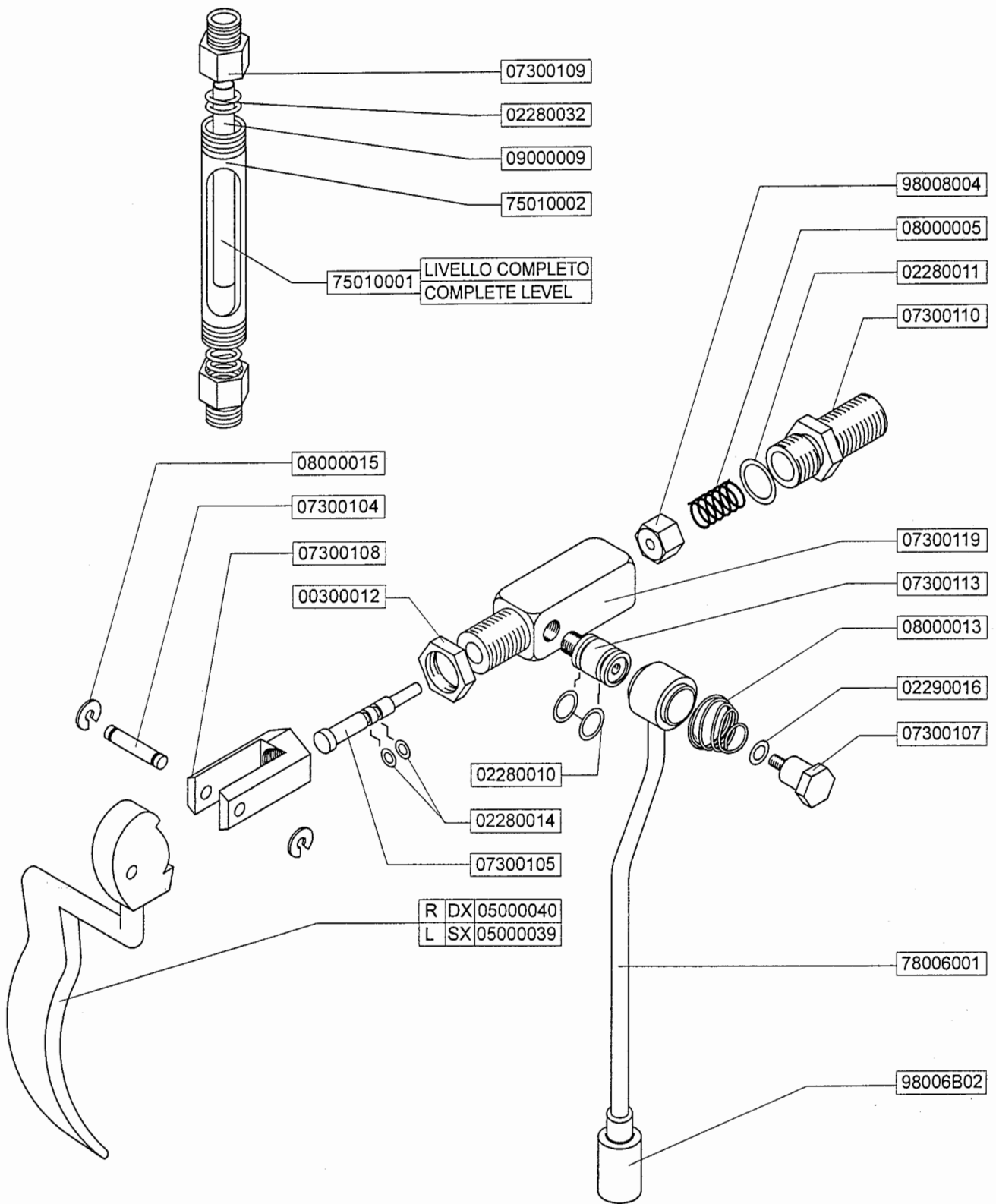
GRUPPO EROGATORE COMPLETE POURING UNIT



RUBINETTO VAPORE, LIVELLO

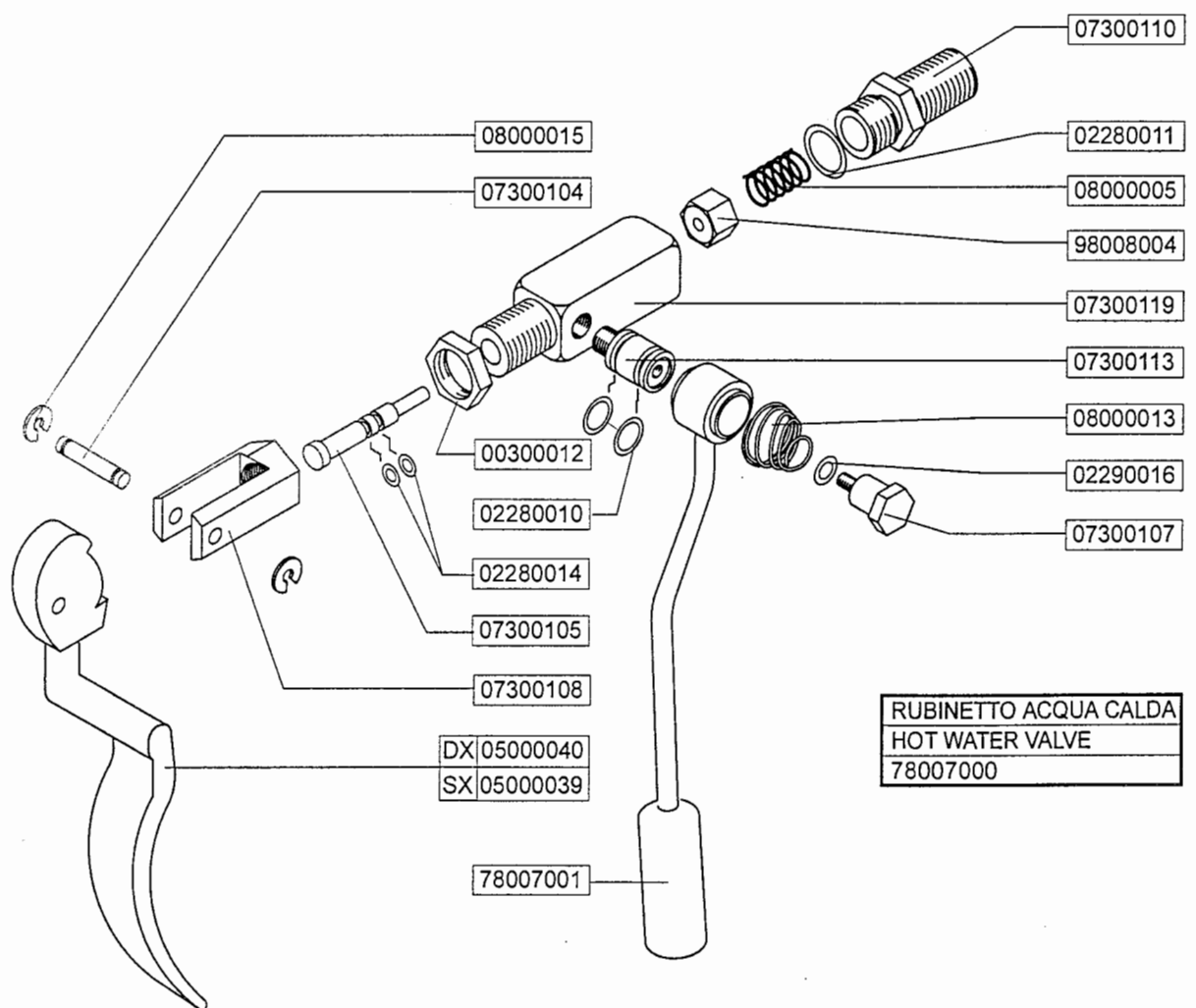
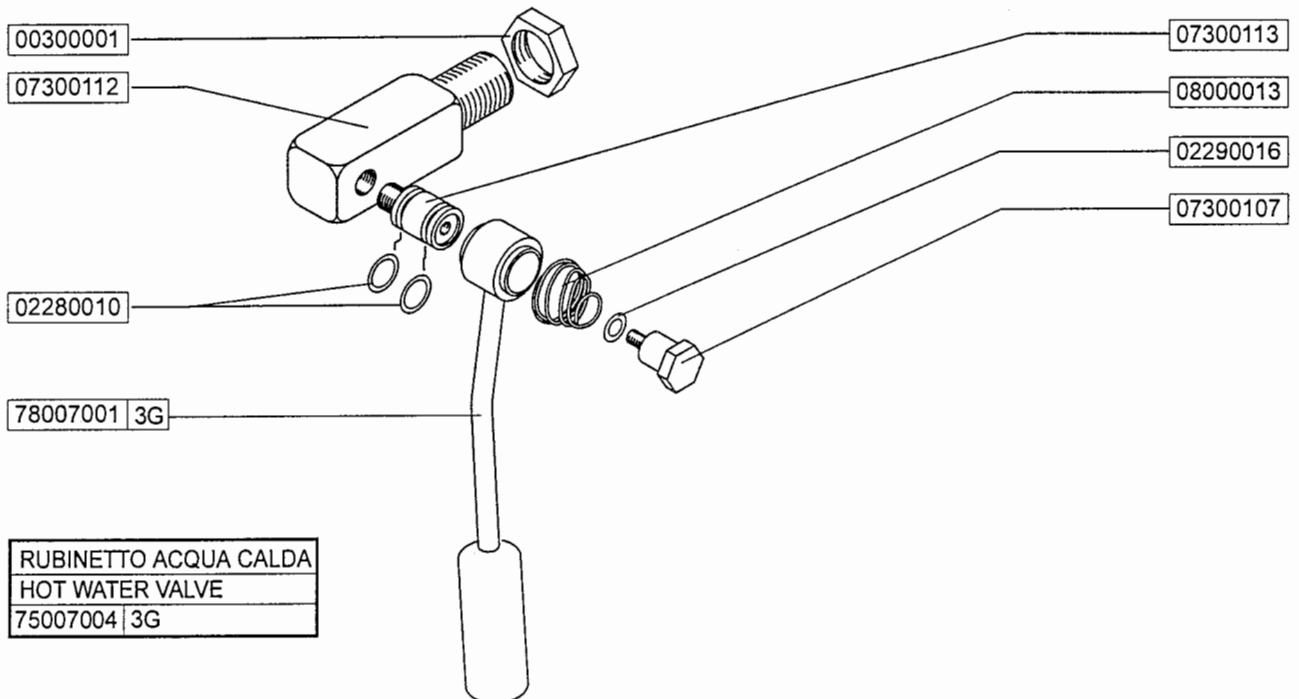
STEAM VALVE, WATER LEVEL

P
R
E
M
I
E
R



RUBINETTO VAPORE SX
LEFT STEAM VALVE
78006000
RUBINETTO VAPORE DX
RIGHT STEAM VALVE
78005000

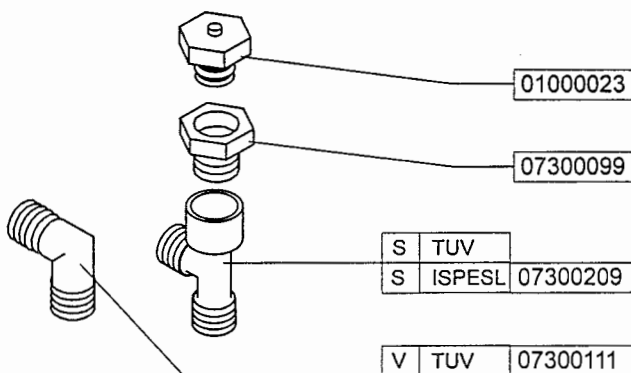
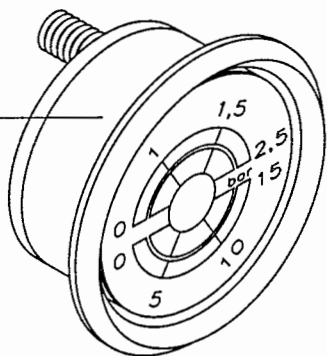
ACQUA CALDA
HOT WATER VALVE



PARTI IDRAULICHE
HYDRAULIC PARTS

MANOMETRO
GAUGE

09100003



01000023

07300099

S	TUV	
S	ISPESL	07300209

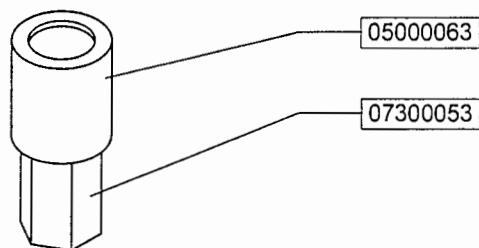
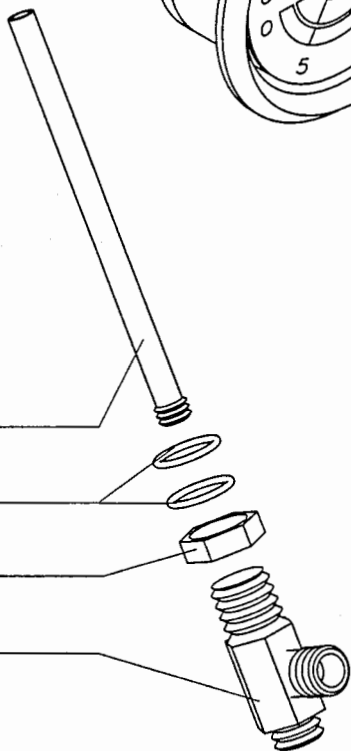
V	TUV	07300111
V	ISPESL	07300068

75030068

02280011

00300032

07300213



05000063

07300053

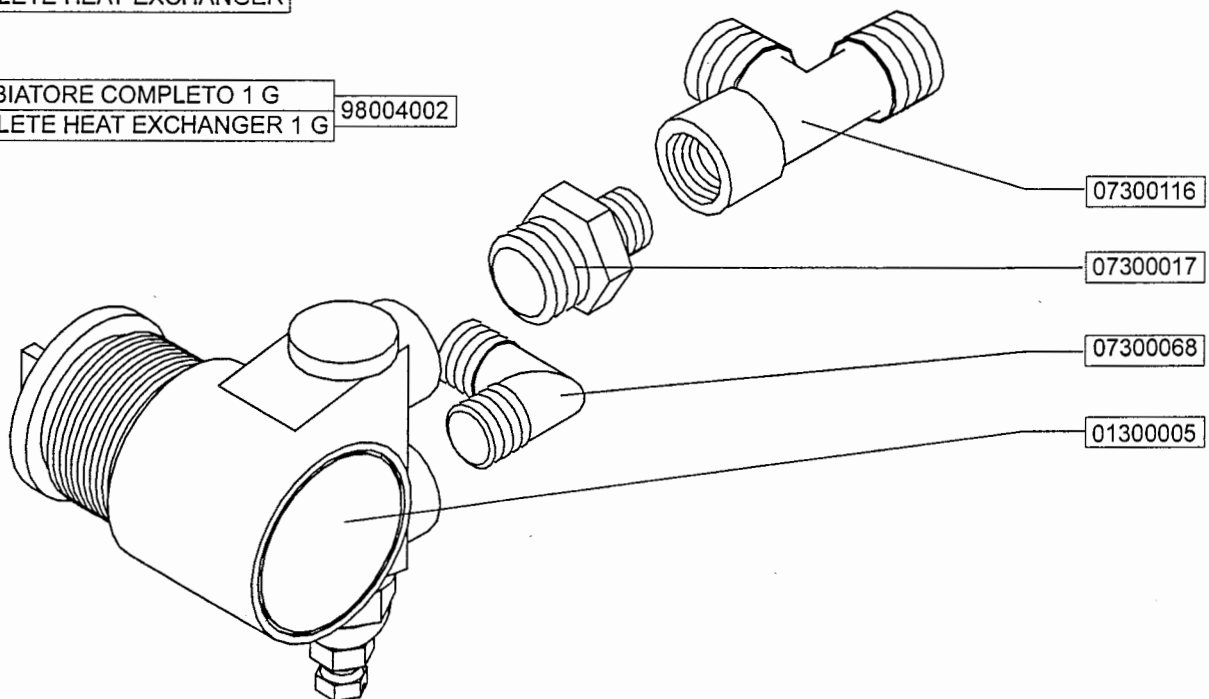
VALVOLA SICUREZZA
SAFETY VALVE 98013001

VALVOLA SICUREZZA TUV
SAFETY VALVE TUV 01000028

VALVOLA SICUREZZA ISPESL
SAFETY VALVE ISPESL 98013000

SCAMBIATORE COMPLETO
COMPLETE HEAT EXCHANGER 79030030

SCAMBIATORE COMPLETO 1 G
COMPLETE HEAT EXCHANGER 1 G 98004002



07300116

07300017

07300068

01300005

GRUPPO IDRAULICO 2 GR.
HYDRAULIC GROUP 2 GR.

78030039	2GR V
78030047	3GR V
78030040	2GR S
78030048	3GR S

78030022

78030037

04100012

07300121

GRUPPO IDRAULICO COMPLETO	
COMPLETE HYDRAULIC GROUP	
78030002	2GR S
78030001	2GR V

00200011

00300012

01000019

98003018

80003022

98009000

07300116

07300051

78030036

04900027

07300062

98012002

08000026

02280011

07300055

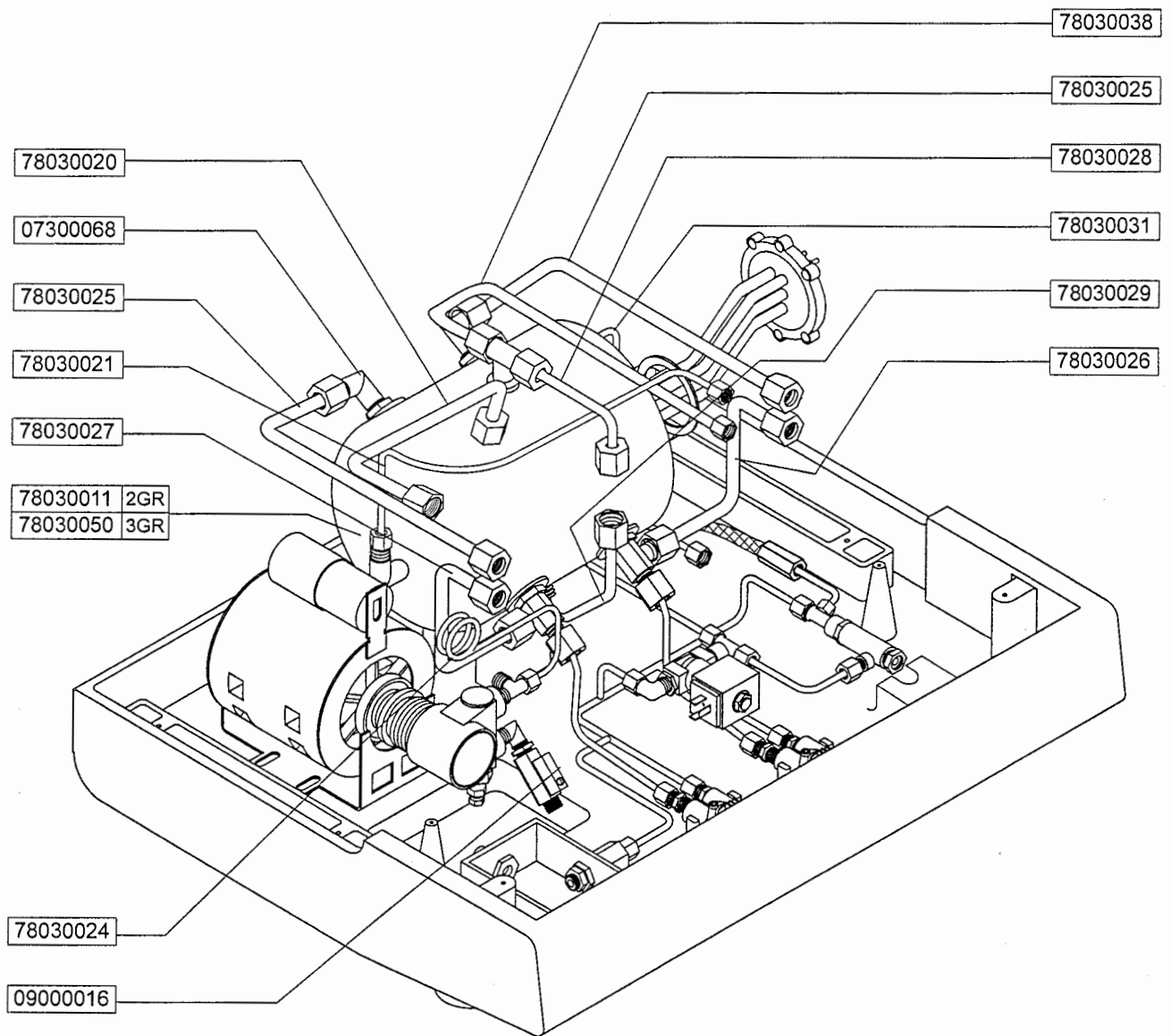
72012007

00300001

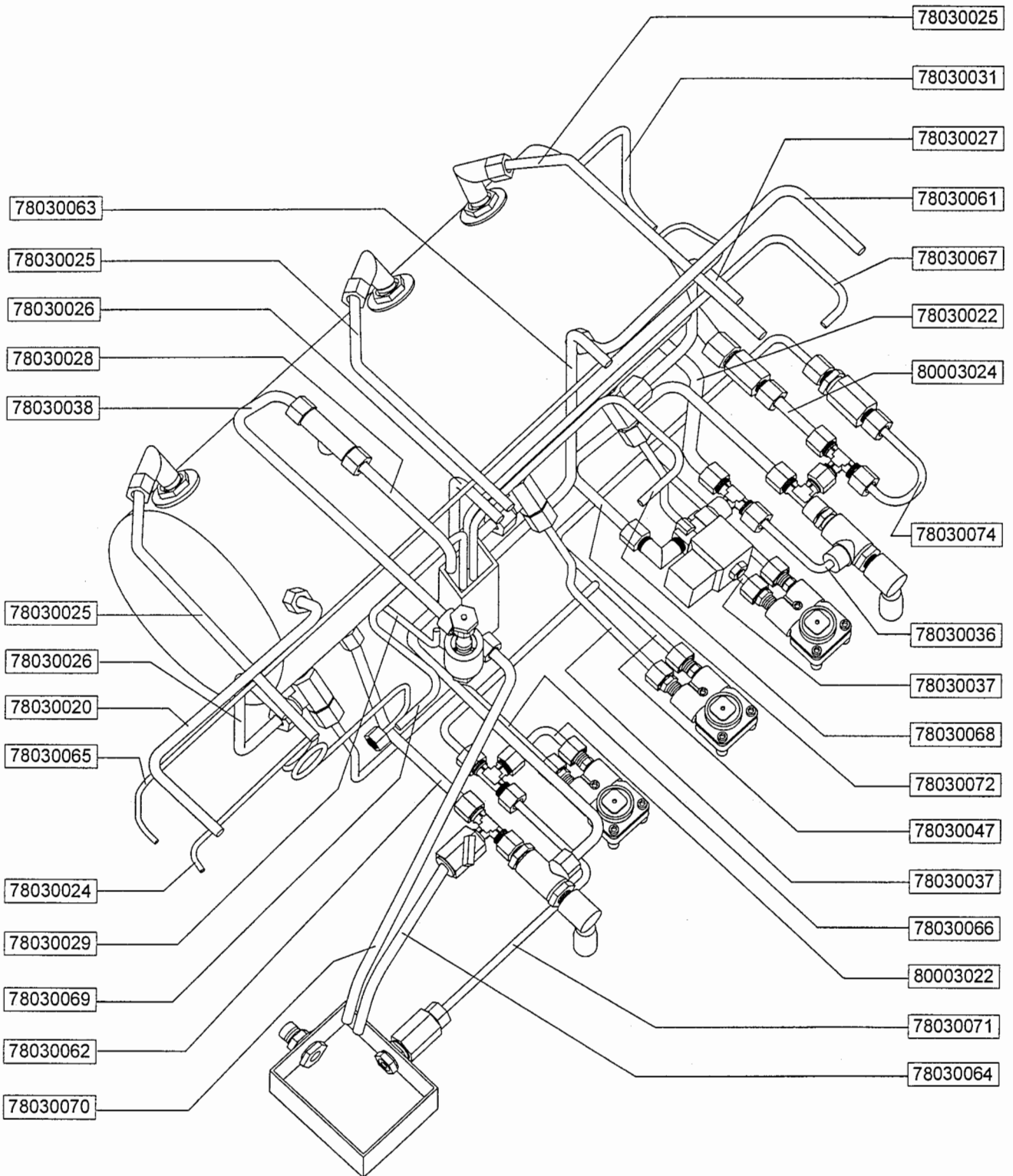
07300159

05000017

PARTI IDRAULICHE 2 GR.
HYDRAULIC PARTS 2 GR.

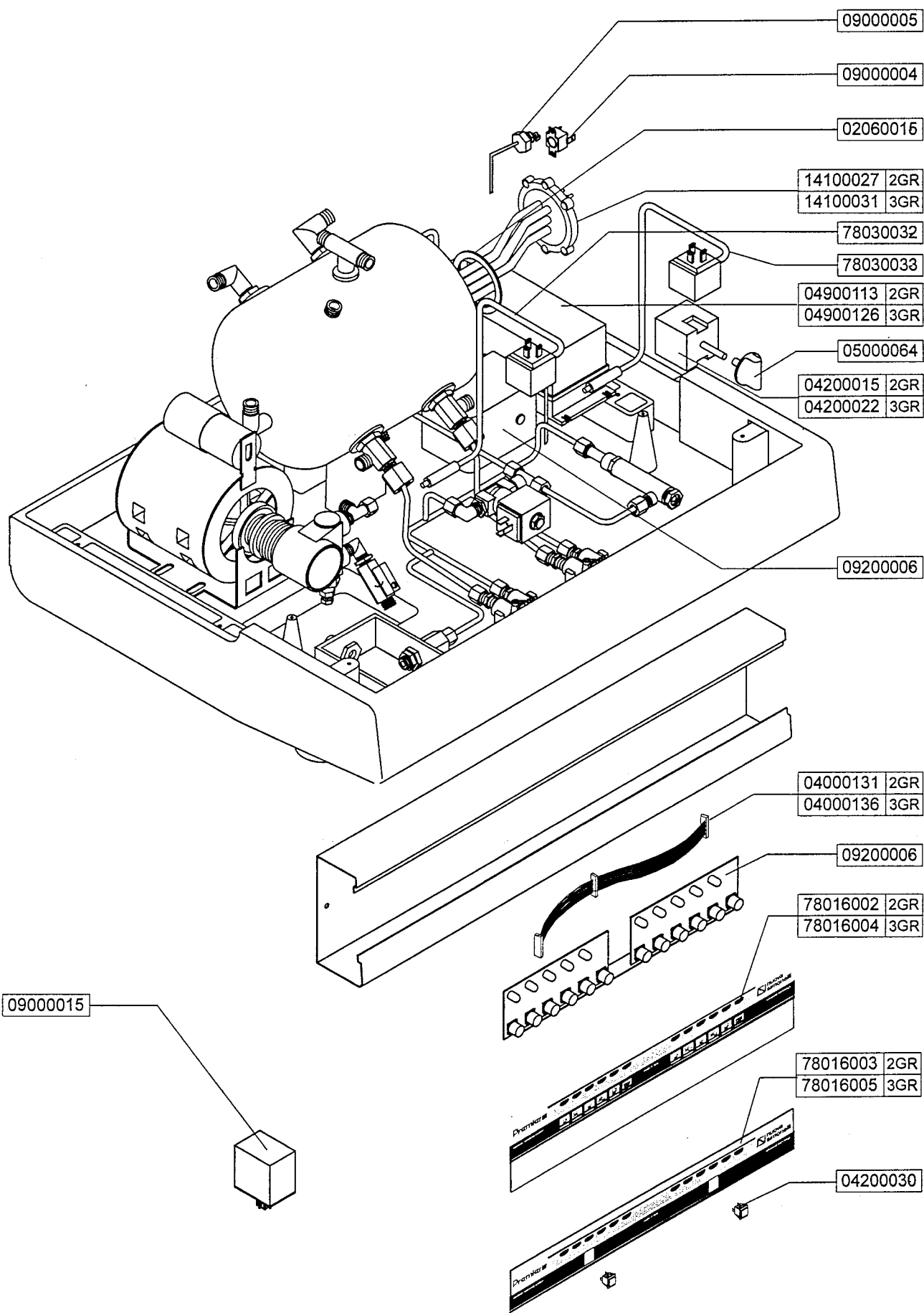


PARTI IDRAULICHE 3 GR.
HYDRAULIC PARTS 3 GR.

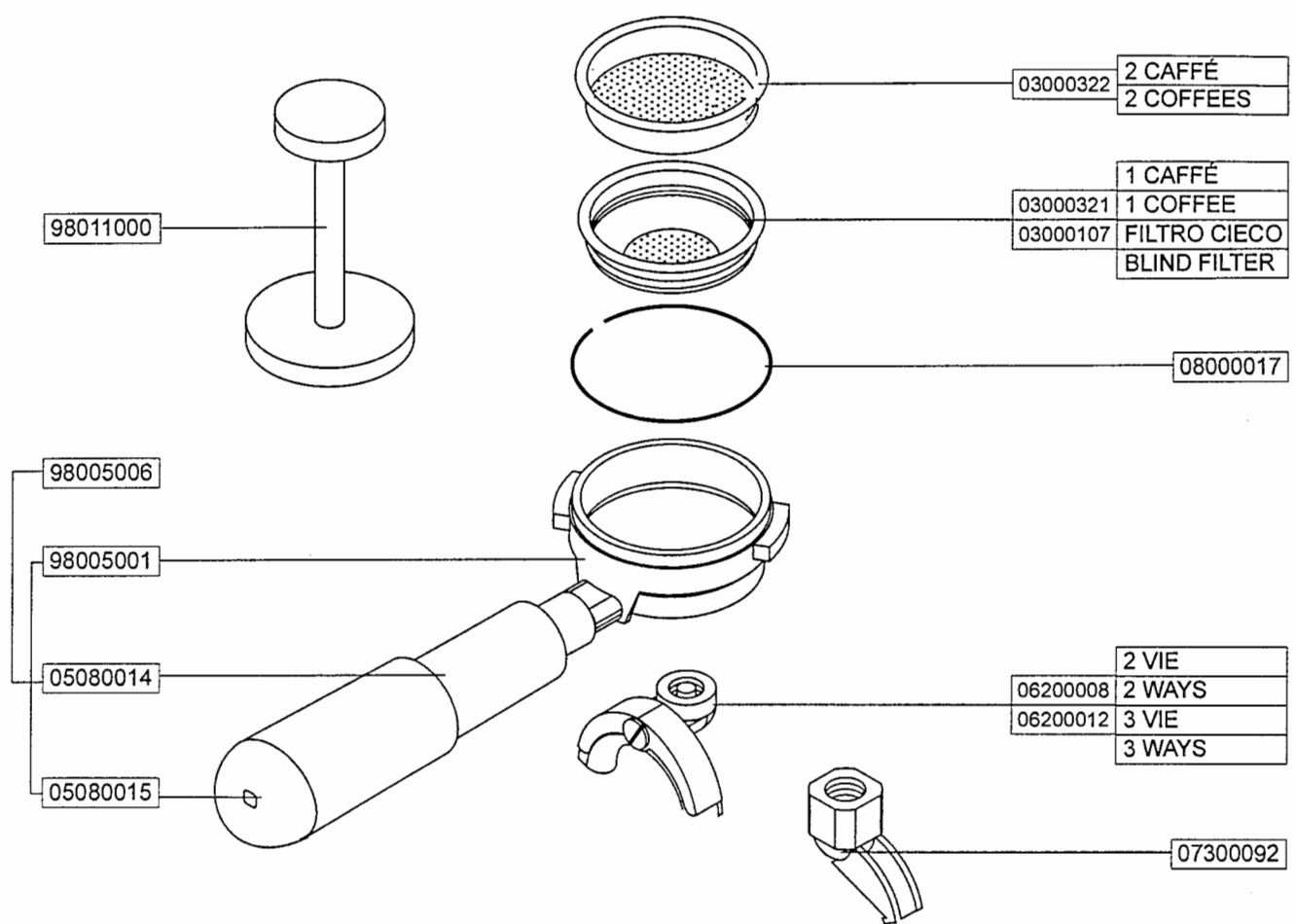


GRUPPO IDRAULICO COMPLETO		
COMPLETE HYDRAULIC GROUP		
78030004	3GR	S
78030003	3GR	V

PARTI ELETTRICHE
ELECTRIC PARTS



PORTA FILTRO, FILTRI PRESSINO
FILTER HOLDER, FILTERS



CODICE	DESCRIZIONE	DESCRIPTION
00200011	RONDELLA ZINC M16 17X30X3	WASHER
00300001	DADO OT 1/4 GAS SPESS 5	NUT 3/8" 6mm
00300012	DADO OT 3/8 GAS ES 22 SPES. 6	NUT 3/8" GAS
00300021	VITE INOX M6X16 TSP TC DIN963	SCREW M6x16 TSTC
00300032	DADO 1/2" GAS ES.24	NUT 1/2"
01000019	TUBO FLESS.INOX 1/4 F.F. L.500	FLEX TUBE 1/4 500
01000023	VALVOLINA SFIATO	ANTIVACUUM VALVE
01000028	VALVOLA SICUREZZA TUV	SAFETY VALVE T.U.V.
01300005	POMPANTE VOLUMETRICO 100 lt/h	VOLUMETRIC PUMP
02060015	GUARNIZIONE PTFE 067x054x2	GASKET HEATING ELEMENT
02280010	GUARN. OR R7 D12 EP 851	GASKET OR R7 D 12
02280011	GUARN. OR R11 D19 EP 851	GASKET OR R11 D 19
02280014	GUARN. OR D 7 AN2/OR102 SILIC	GASKET OR D 7 AN21 OR102
02280020	GUARNIZ.SOTTOCOPPA 073X058X7	GROUP GASKET 73X58X7
02280032	GUARN. OR 114 EP 851 V.LIV.	GASKET OR 14
02290016	GUARN. OR D 9,5 R5 SILICONE R.	GASKET OR D 9.5 SILICON
03000066	DOCCIA INOX 056X05,5X6	SHOWER INOX 56X5.5X6
03000080	RETINA INOX (X FILTRI EROG.)	STAINLESS FILTER
03000107	FILTRO CIECO	BLIND FILTER
03000199	MONTANTE DX	RIGHT SIDE FRAME
03000200	MONTANTE SX	LEFT SIDE FRAME
03000321	FILTRO 1 CAFFE H=21,5 MOD.90	FILTER 1 COFFEE H=21.5 MOD. '90
03000322	FILTRO 2 CAFFE H=21,5 MOD.90	FILTER 2 COFFEE H=21.5 MOD. '90
03000367	PARETINA INF."PREMIER"	LOWER INOX PANEL
03000368	PIATTO PORTATAZZE "PREMIER"	CUPWARMER PANEL 2GR.
03000369	PIATTO RACCOGLIACQUA PREMIER	DRAIN TRAY 2GR.
03000370	INVOLUCRO COMANDI "PREMIER"	TOUCHPAD ENCLOSURE 2GR.
03000371	STAFFA PORTA CARENA "PREMIER"	BODY SUPPORT FRAME 2GR.
03000372	STAFFA PORTAGRUPPI "PREMIER"	GROUPS SUPPORT FRAME 2GR.
03000374	STAFFA MANOMETRO/INT. PREMIER	GAUGE SUPPORT
03000376	RETINA PIANO LAVORO PREMIER	WORK GRILL 2GR.
03000377	CHIUSURA SICUREZZA PREMIER 2GR	SAFETY COVER 2GR.
03000400	PARETINA INF. PREMIER 3GR.	LOWER INOX PANEL 3GR.
03000401	PIATTO PORTATAZZE PREMIER 3GR.	CUPWARMER PANEL 3GR.
03000402	PIATTO RACCOGLIACQUA PREMIER/3	DRAIN TRAY 3GR.
03000403	INVOLUCRO COMANDI PREMIER/3	TOUCHPAD ENCLOSURE 3GR.
03000404	STAFFA PORTA CARENA PREMIER/3	BODY SUPPORT FRAME 3GR.
03000405	STAFFA PORTAGRUPPI PREMIER/3	GROUPS SUPPORT FRAME 3GR.
03000406	RETINA PIANO LAVORO PREMIER/3	WORK GRILL 3GR.
03000407	CHIUSURA SICUREZZA PREMIER 3GR	SAFETY COVER 3GR.
04000131	CAVO 20 VIE PULS/CENTR PREM. 2GR	20 WAYS CABLE 2GR.
04000136	CAVO 20 VIE PULS/CENTR PREM. 3GR	20 WAYS CABLE 3GR.

CODICE	DESCRIZIONE	DESCRIPTION
04100012	ELETTROV.2VIE AL1/4 230V50/60	ELECTROVALVE 2WAY V220 1/4" FILL_UP
04100017	ELETTROV.EROG. 3VIE 230V50/60	COMPL.ELECTROVALVE 3 WAY 230V 50_60Hz
04200015	INTERRUTTORE 16A BIPOLARE	SWITCH 16A
04200022	INTERRUTTORE 25A TETRAPOLARE	SWITCH 25A
04200030	INTERRUTTORE ON_OFF MOD.MAC	ON_OFF SWITCH
04900027	DOSATORE VOLUMETRICO	FLOWMETRE
04900113	CENTRALINA PREMIER/V 2GR	ELECTRONIC UNIT 2GR.
04900126	CENTRALINA PREMIER/V 3GR	ELECTRONIC UNIT 3GR.
05000017	VASCHETTA SCARICO PPL 1GR/PREM	DRAIN CUP
05000039	MANOPOLA RUB.VAPORE SX PR.	LEFT LEVER
05000040	MANOPOLA RUB.VAPORE DX PR.	RIGHT LEVER
05000063	COPRI VALVOLA SICUREZZA	SAFETY VALVE COVER
05000064	MANOPOLA INTERRUTTORE NS	SWITCH KNOB
05000069	BASAMENTO PREMIER 2GR NERO V/O	BASE 2GR.
05000070	FIANCO SX PREMIER	LEFT SIDE PANEL
05000071	FIANCO DX PREMIER	RIGHT SIDE PANEL
05000072	RETRO PREMIER 2GR	BACK PANEL 2GR.
05000073	COPRIGRUPPO INF. PREMIER 2GR	GROUPS COVER 2GR.
05000074	MOSTRINA COPRILIVELLO PREMIER	LEVEL PROTECTION COVER
05000080	PROLUNGA PIEDE	FOOT EXTENCION
05000120	BASAMENTO PREMIER 3 GR V/O	BASE 3GR.
05000121	RETRO PREMIER 3 GR V/O	BACK PANEL 3GR.
05000122	COPRIGRUPPO PREMIER 3GR	GROUPS COVER 3GR.
05080014	MANOPOLA PORTAFILTRO 96	FILTER HOLDER HANDLE
05080015	TAPPO MANOPOLA PORTAFILTRO 96	FILTER HOLDER HANDLE CAP
06200008	BECCO DUE VIE	2 WAYS SPOUT
06200012	BECCO 3 VIE COMPLETO	COMPLETE 3 WAYS SPOUT
07300015	RACCORDO 3/8 3/8 GAS	CONNECTOR 3/8_3/8
07300017	RACCORDO 1/4 3/8 GAS OT.	CONNECTOR 1/4_3/8
07300053	CORPO VALVOLA SICUREZZA	SAFETY VALVE BODY
07300055	TAPPO PORTAMOLLA 3/8" 1/4"	SPRING STOPPER 3/8" 1/4"
07300062	CORPO VALVOLA NEPLAX RITEGNO	EXPANSION VALVE BODY
07300068	RACCORDO L 3/8 M_M CILIN 459	3/8" M_M CONNECTOR
07300092	BECCO UNA VIA CURVO	SINGLE SPOUT
07300099	RIDUZIONE 3/8 1/4 ES. 20	3/8_1/4" REDUCER CONNECTOR
07300104	SPINOTTO RUB.VAPORE PR.	VALVE SHAFT
07300105	ASTA COM.PISTONCINO R.V.PR,	VALVE SCREW STOPPER
07300108	FORCELLA PORTA MANOPOLA R.V.	TAP FORK
07300109	PREMISTOPPA LIVELLO PROGRAM	REDUCTION FITTING WATER LEV.
07300110	TAPPO PORTA MOLLA R.V. PR.	CONNECTOR REDUCER
07300111	RACCORDO L 3/8 M_F CILIN 458	ELBOW SPRING HOLDER 3/8"M 3/8"F
07300112	ATTACCO RUB. ACQUA PROGRAM	HOT WATER BLOCK

CODICE	DESCRIZIONE	DESCRIPTION
07300113	SNODO RUB. VAPORE PROGRAM	SWIVEL SHAFT
07300116	RACCORDO T 1/4 M_M_F 465	FITTING T 1/4" M_M_F
07300119	CORPO RUBINETTO VAPORE PR.	STEAM VALVE BODY
07300121	RACCORDO L 1/4 M_M CILIN 459	L FITTING 1/4 M_M
07300128	TAPPO 1/4 GAS AGG.31.01.89	1/4" CAP
07300171	TAPPO OT M20X1,5 GR. EROG.	M20 GROUP SCREW
07300172	RACCORDO 3/8"M_3/8"M INT M8	3/8" CONNECTOR THREAD M8
07300173	PORTA GIGLER GR.EROG.	JET SUPPORT DELIVERY GROUP
07300174	GIGLER GR.EROG. "PREMIER" F0.8	JET DELIVERY GROUP
07300179	PERNO FISSAGGIO R.PREM/F.MAST	BACK PANEL SCREW
07300180	PERNO FISSAGGIO FIANCO PREMIER	SIDE PANEL SCREW
07300183	PADIGLIONE GRUPPO PREMIER	DIFFUSER
07300184	GIGLEUR GRUPPO PREMIER M8 F.4	JET M8 HOLE 4mm
07300209	RACCORDO A T 3/8 M_M_F 465	FITTING T 3/8" M_M_F
07300213	CORPO SCAMBIATORE 1/2 GAS	HEAT EXCANGER BODY (WITH O'RING)
07300220	INSERTO PROLUNGA PIEDE	FOOT EXTENCION INSERT
08000005	MOLLA 6 ST 11,5X8,5X25	SPRING 11.5X8.5X25
08000008	MOLLA TARATA 11,5X1,5X24 NEPLA	SPRING 11,5X1,5X24
08000013	MOLLA TUBO VAPORE PROGRAM	CONICAL SPRING
08000015	ANELLO SEEGER TIPO RS 5 INOX	SEEGER RS 5 INOX
08000017	MOLLA BLOCCA FILTRO ACC.INOX	SPRING FILTER HOLDER
08000026	MOLLA TARATA 11,5X1,5X24 NEPLA	EXPANSION VALVE SPRING
09000004	CENTRALINA AUTOLIVELLO 115V	LEVEL ELECTRONIC UNIT 115V
09000005	SONDA AUTOLIVELLO COMPLETO	WATER LEVEL SENSOR
09000015	CENTRALINA AUTOLIVELLO 230V	AUTO WATER FILL CIRCUIT 230V 50_60Hz
09000016	RUBINET.ALLACCIO RETE 3/8 3831	WATER VALVE 3/8"
09100003	MANOMETRO DOPPIA SCALA	DOUBLE SCALE GAUGE
09200006	PRESSOSTATO MACCHINA P302/6	PRESSOSTAT
14100027	RESISTENZA 2700W 220V	HEATING ELEMENT 2700W 220V
14100031	RESISTENZA 4500W 220V	HEATING ELEMENT 4500W 220V
72012007	VALVOLA NEPLAX COMPLETA	COMPLETE EXPANSION VALVE
75007004	RUBIN. ACQUA CALDA PR/MAC L.CR	HOT WATER TAP
75007005	LANCIA ACQUA CALDA PR.CROMATA	HOT WATER PIPE
75010001	LIVELLO PR./MAC/PREMIER COMPL.	GLASS LEVEL
75010002	CORPO LIVELLO PR./MAC/PREMIER	GLASS LEVEL BODY
75030068	TUBO RAME SCAMB.M8 PR/MAC/PREM	HEAT EXCANGER BRASS TUBE
78004001	GRUPPO EROG."PREMIER" CROMATO	GROUP UNIT
78005000	RUB.VAPORE COMP.DX PREMIER	RIGHT STEAM TAP
78006000	RUB.VAPORE COMP.SX PREMIER	LEFT STEAM TAP
78006001	LANCIA VAPORE PREMIER CROMATA	STEAM PRIPE
78007000	RUB.ACQUA C.COMP. PREMIER	HOT WATER TAP
78007001	LANCIA ACQUA C.PREMIER COMPL.	HOT WATER PIPE

CODICE	DESCRIZIONE	DESCRIPTION
78016002	PULSANTIERA PREMIER/V 2GR	TOUCHPAD PREMIER V 2GR.
78016003	PULSANTIERA PREMIER/S 2GR	TOUCHPAD PREMIER S 2GR.
78016004	PULSANTIERA PREMIER/V 3GR	TOUCHPAD PREMIER V 3GR.
78016005	PULSANTIERA PREMIER/S 3GR	TOUCHPAD PREMIER S 3GR.
78030001	GRUPPO IDRAULICO PREMIER/V 2GR	HYDRAULIC GROUP PREMIER V 2GR.
78030002	GRUPPO IDRAULICO PREMIER/S 2GR	HYDRAULIC GROUP PREMIER S 2GR.
78030003	GRUPPO IDRAULICO PREMIER/V 3GR	HYDRAULIC GROUP PREMIER V 3GR.
78030004	GRUPPO IDRAULICO PREMIER/S 3GR	HYDRAULIC GROUP PREMIER S 3GR.
78030011	CALDAIA "PREMIER" 2GR NICHEL.	BOILER 2GR.
78030020	TUBO RUB.VAP.SX/CALD. 2/3GR	LEFT STEAM TAP_BOILER TUBE 2/3GR.
78030021	TUBO RUB.ACQUA C./CALD. 2GR	HOT WATER TAP_BOILER BRASS TUBE 2GR.
78030022	TUBO CARICO CALDAIA 2/3GR	BOILER FILLING BRASS TUBE 2/3GR.
78030024	TUBO MANOMETRO/POMPANTE 2/3GR	GAUGE_PUMP BRASS TUBE 2/3GR.
78030025	TUBO CALDAIA/GR.EROG. 2/3GR	POURING UNIT_EXCHANGER TUBE 2/3GR.
78030026	TUBO SCAMBIAT./GR. SX 2/3GR	LEFT GROUP_EXCHANGER TUBE 2/3GR.
78030027	TUBO SCAMBIAT./GR. DX 2/3GR	RIGHT GROUP_EXCHANGER TUBE 2/3GR.
78030028	TUBO COLL.LIVELLO SUP. 2/3GR	UPPER GLASS LEVEL BRASS TUBE 2/3GR.
78030029	TUBO COLL.LIVELLO INF. 2/3GR	LOWER GLASS LEVEL BRASS TUBE 2/3GR.
78030031	TUBO PRESSOST./CALDAIA 2/3GR	PRESSOSTAT_BOILER BRASS TUBE 2/3GR.
78030032	TUBO SCARICO EV. GR. DX 2GR	RIGHT SOLENOID BRASS TUBE 2GR.
78030033	TUBO SCARICO EV. GR. SX 2GR	LEFT SOLENOID BRASS TUBE 2GR.
78030035	TUBO VALVOLA RIT./T RUB. 2/3GR	RETAINING VALVE_REFILL TAP TUBE 2/3GR.
78030036	TUBO RUB.CARICO/T EV.LIV.2/3GR	REFILL TAP_T FITTING BRASS TUBE 2/3GR.
78030037	TUBO DOSAT./SCAMBIAT. 2/3GR	FLOWMETER_EXCHANGER TUBE 2/3GR.
78030038	TUBO VALVOLA SICUREZZA 2GR	SAFETY VALVE BRASS TUBE 2GR.
78030039	CROCIERA PREMIER V 2GR	DISTRIBUTOR PREMIER V 2GR.
78030040	CROCIERA PREMIER S 2/3GR	DISTRIBUTOR PREMIER S 2/3GR.
78030047	CROCIERA PREMIER V 3GR	DISTRIBUTOR PREMIER V 3GR.
78030050	CALDAIA PREMIER 3GR NICHELATA	BOILER 3GR.
78030061	TUBO RUB.VAP.DX/CALDAIA 3GR	RIGHT STEAM TAP_BOILER 3GR.
78030062	TUBO RUB.ACQUA C./CALDAIA 3GR	HOT WATER_BOILER 3GR.
78030064	TUBO SCARICO CALDAIA 3GR	BOILER DRAIN BRASS TUBE 3GR.
78030065	TUBO MANOMETRO/CALDAIA 3GR	GAUGE_BOILER BRASS TUBE 3GR.
78030066	TUBO SCAMBIATORE/DOSAT SX 3GR	FLOWMETER_LEFT EXCHANGER TUBE 3GR.
78030067	TUBO SCARICO GRUPPO DX 3GR	RIGHT SOLENOID BRASS TUBE 3GR.
78030068	TUBO SCARICO GRUPPO CENT.3GR	MIDDLE SOLENOID BRASS TUBE 3GR.
78030069	TUBO SCARICO GRUPPO SX 3GR	LEFT SOLENOID BRASS TUBE 3GR.
78030070	TUBO SCARICO POZZETTO 3GR	DRAIN CUP BRASS TUBE 3GR.
78030071	TUBO V.NEPLAX/RACCORDO T 3GR/V	EXPANCION VALVE_T FITTING TUBE 3GR.V
78030072	TUBO ELET.AUT./RACC.T 3GR V	REFILL SOLENOID-T FITTING TUBE 3GR.V
78030074	TUBO VALV. RIT./RACC. T 3GR V	RETAINING VALVE-T FITTING 3GR.V
79030030	SCAMBIATORE CALORE 1/2" CON OR	HEAT EXCHANGER 1/2" WITH O' RING

CODICE	DESCRIZIONE	DESCRIPTION
80003022	TUBO VALVOLA RIT./T RUB. 2/3GR	RETAINING VALVE_T FITTING 2/3GR.
80003024	TUBO COLL. EV. LIVELLO	REFILL SOLENOID BRASS TUBE
98001001	PIEDE MACCHINA	FOOT
98003018	VALVOLA RITEGNO 98 ES.15	RETAINING VALVE
98004001	RETINA INOX (X FILTRI EROG.)	INOX FILTER SCREEN
98004002	SCAMBIATORE CALORE PR/MAC	HEATER EXCHANGER
98005001	CORPO PORTAFILTRO BAR CROMATO	FILTER HOLDER BODY
98005006	PORTAFILTRO ASSEMBLATO	COMPLETE FILTER HOLDER
98006B02	GETTO VAPORE 4 FORI CROM.	STEAM NOZZLE
98008004	PISTONCINO CHIUSURA COMPLETO	COMPLETE STEAM VALVE PISTON
98009000	RUBINETTO DI CARICO ASSEMBLATO	COMPLETE REFILL TAP
98011000	PRESSA CAFFE' ALLUMINIO	COMPLETE COFFEE TAMPER
98012002	PISTONCINO VALV.NEPLAX COMPL.	PISTON EXPANSION VALVE COMP.
98013000	VALVOLA DI SICUREZZA	SAFETY VALVE ISPEL
98013001	VALVOLA DI SICUREZZA COMPLETA	SAFETY VALVE COMPLETE